



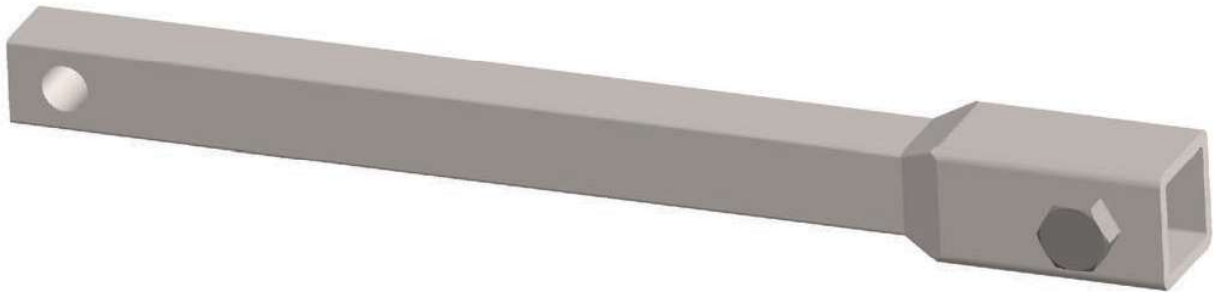
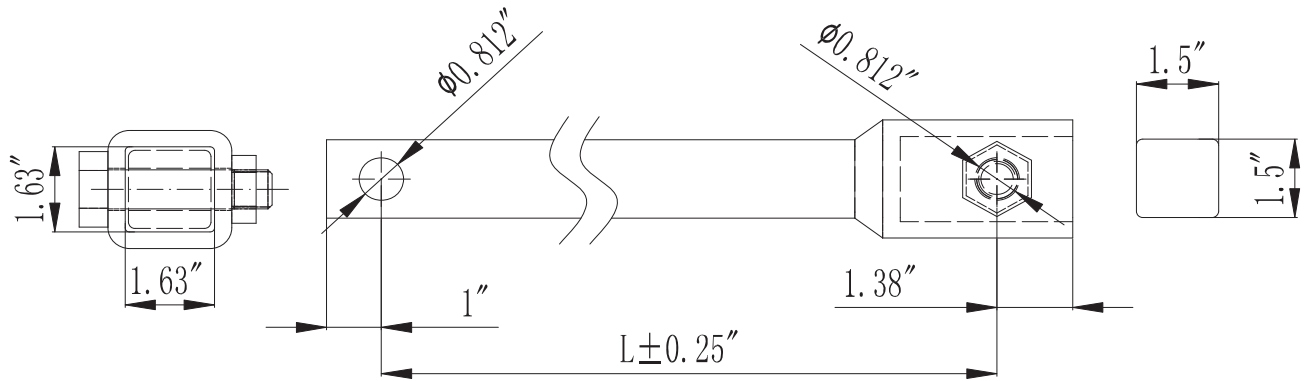
INDEX

SECTION 12 - HELIX ANCHOR PRODUCTS

SQUARE SHANK EXTENSIONS WITHOUT HELIX	12-1
SOLID SQUARE HUB SINGLE HELIX POWER DRIVEN ANCHORS	12-2
SOLID SQUARE HUB TWIN HELIX POWER DRIVEN ANCHORS	12-3
SOCKET ANCHORS 2.25".....	12-4
SOCKET ANCHORS 2.74".....	12-5
SOCKET ANCHORS 3.14".....	12-6



SQUARE SHANK EXTENSIONS WITHOUT HELIX



1.5 Inch (3.8 cm) Square Solid Shaft; 5,500 Ft.-Lb (7,657 n-m) Ultimate Installing Torque (Use with 5,500 ft-lb lead section)		
Catalog Number	Length Inch (mm)	Weight Lbs (kg)
G6616-U	40 (1016)	28.2 (12.8)
G6620-U	58 (1473)	40 (18.1)
G6625-U	82 (2083)	57 (25.9)
G6630-U	118 (2997)	81 (36.7)

Materials: Steel with blue paint

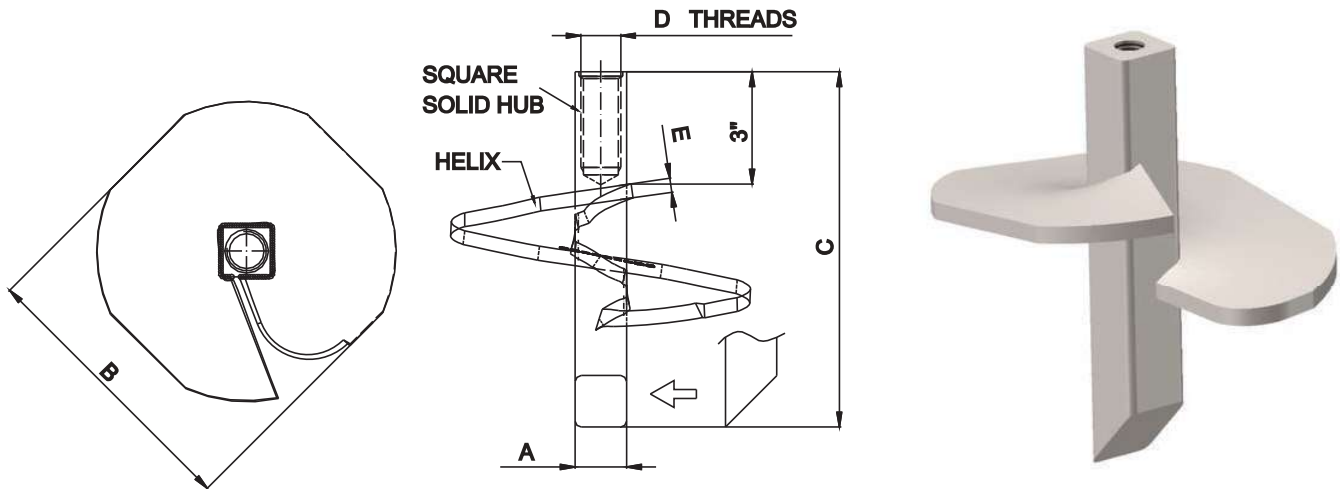
Extensions range from 3.5 feet (1.07 m) to 10 feet (3.0 m) in length

The integral forged socket end is bolted to the installed multi-helix or extension and the anchor installation resumed

The extension torque rating must match the lead section



SOLID SQUARE HUB SINGLE HELIX POWER DRIVEN ANCHORS



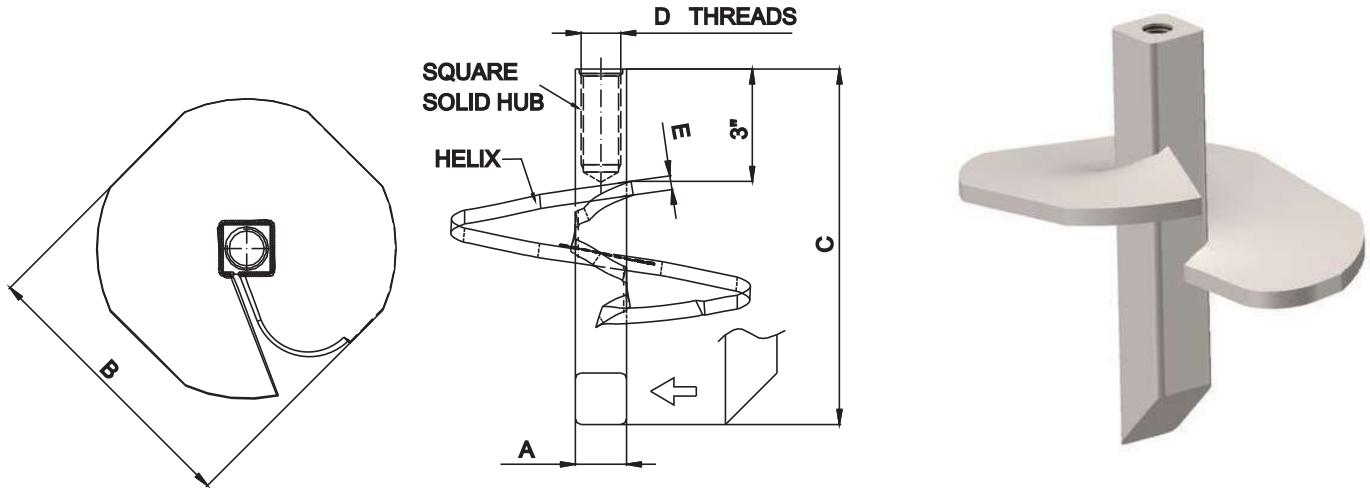
1-3/8" Square Solid Hub - 4000 Ft.Lb. Ultimate Installing Torque For Standard Installing Tool					
Catalog No.	A	B	C	D	E
G82	1-3/8	8	9-1/2	5/8	3/8
G84	1-3/8	8	9-1/2	3/4 or 1	3/8
G102	1-3/8	10	9-1/2	5/8	3/8
G104	1-3/8	10	9-1/2	3/4 or 1	3/8
G112	1-3/8	12	9-1/2	5/8	3/8
G114	1-3/8	12	9-1/2	3/4 or 1	3/8
G134	1-3/8	14	9-1/2	3/4 or 1	3/8

1-3/8" Square Solid Hub - 6000 Ft.Lb. Ultimate Installing Torque For Standard Installing Tool					
Catalog No.	A	B	C	D	E
G826	1-3/8	8	9-1/2	5/8	3/8
G846	1-3/8	8	9-1/2	3/4 or 1	3/8
G1026	1-3/8	10	9-1/2	5/8	3/8
G1046	1-3/8	10	9-1/2	3/4 or 1	3/8
G1126	1-3/8	12	9-1/2	5/8	3/8
G1146	1-3/8	12	9-1/2	3/4 or 1	3/8
G1346	1-3/8	14	9-1/2	3/4 or 1	3/8

Materials: Steel with blue paint



SOLID SQUARE HUB SINGLE HELIX POWER DRIVEN ANCHORS



1-1/2" Square Solid Hub - 6000 Ft.Lb. Ultimate Installing Torque For Standard Installing Tool

Catalog No.	A	B	C	D	E
G182	1-1/2	8	9-1/2	5/8	3/8
G184	1-1/2	8	9-1/2	3/4 or 1	3/8
G1102	1-1/2	10	9-1/2	5/8	3/8
G1104	1-1/2	10	9-1/2	3/4 or 1	3/8
G1114	1-1/2	12	9-1/2	3/4 or 1	3/8
G1134	1-1/2	14	9-1/2	3/4 or 1	3/8

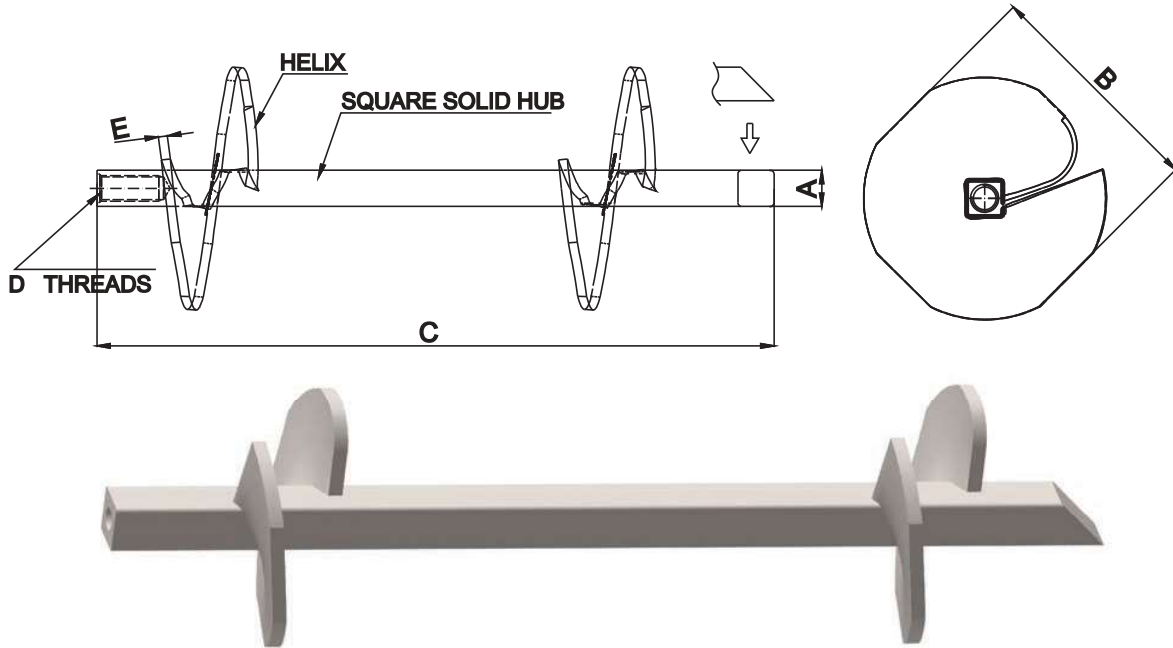
1-1/2" Square Solid Hub - 7000 Ft.Lb. Ultimate Installing Torque For Standard Installing Tool

Catalog No.	A	B	C	D	E
G1847	1-1/2	8	9-1/2	3/4 or 1	3/8
G11047	1-1/2	10	9-1/2	3/4 or 1	3/8
G11147	1-1/2	12	9-1/2	3/4 or 1	3/8

Materials: Steel with blue paint



SOLID SQUARE HUB TWIN HELIX POWER DRIVEN ANCHORS



1-3/8" Square Solid Hub - 4000 Ft.Lb. Ultimate Installing Torque For Standard Installing Tool					
Catalog No.	A	B	C	D	E
G84-2	1-3/8	(2)8	28	3/4 or 1	3/8
G104-2	1-3/8	(2)10	28	3/4 or 1	3/8

1-3/8" Square Solid Hub - 6000 Ft.Lb. Ultimate Installing Torque For Standard Installing Tool					
Catalog No.	A	B	C	D	E
G84-2-6	1-3/8	(2)8	28	3/4 or 1	3/8
G104-2-6	1-3/8	(2)10	28	3/4 or 1	3/8

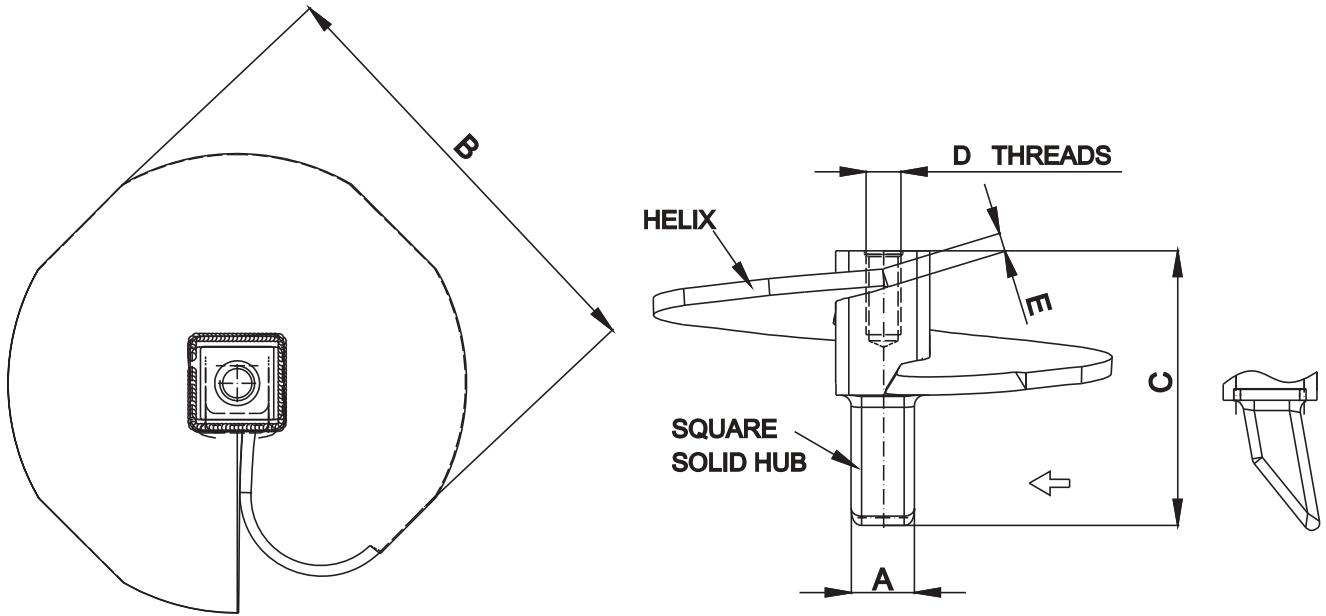
1-1/2" Square Solid Hub - 6000 Ft.Lb. Ultimate Installing Torque For Standard Installing Tool					
Catalog No.	A	B	C	D	E
G284	1-1/2	(2)8	28	3/4 or 1	3/8
G2104	1-1/2	(2)10	28	3/4 or 1	3/8

1-1/2" Square Solid Hub - 7000 Ft.Lb. Ultimate Installing Torque For Standard Installing Tool					
Catalog No.	A	B	C	D	E
G2447	1-1/2	(2)4	28	3/4 or 1	3/8
G2847	1-1/2	(2)8	28	3/4 or 1	3/8
G21047	1-1/2	(2)10	28	3/4 or 1	3/8

Materials: Steel with blue paint



SOCKET ANCHORS

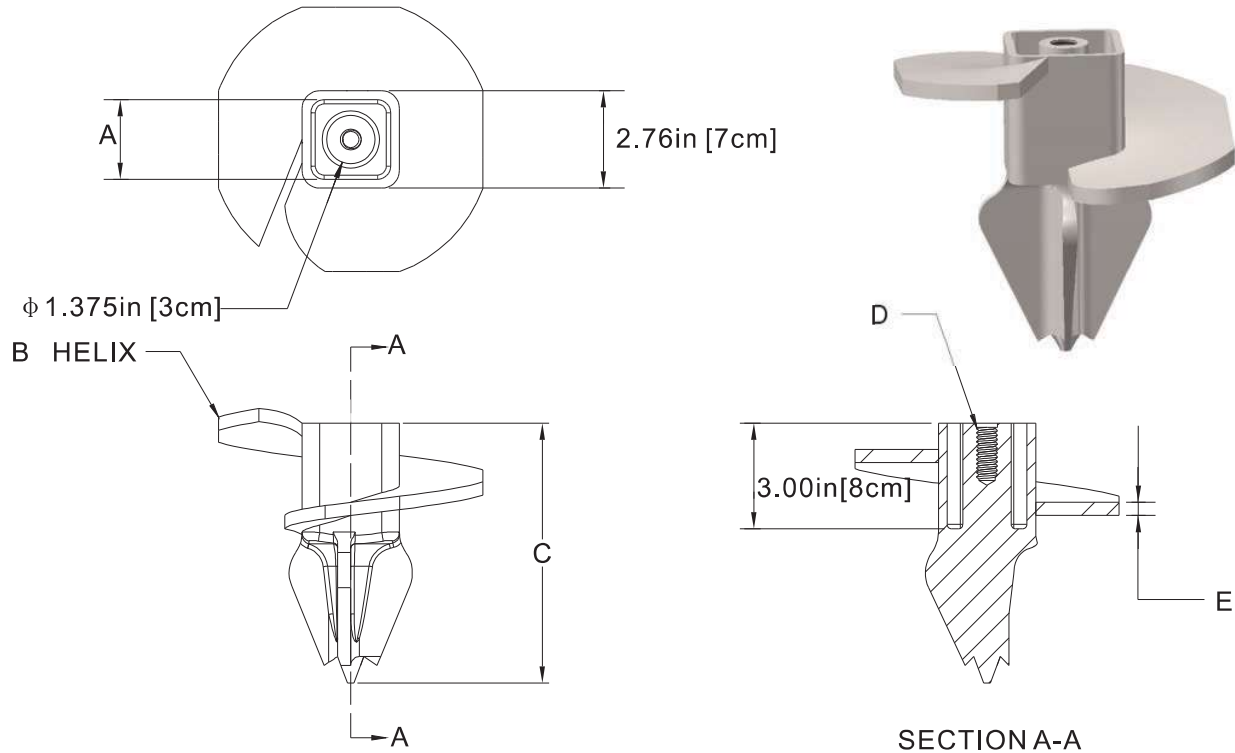


Catalog No.	A	B	C	D	E
GTX-134	2-1/4	14	8-3/8	1	3/8

Materials: Steel with blue paint
 2-1/4" Socket anchor, 10000ft.lb. Max Working.



SOCKET ANCHORS



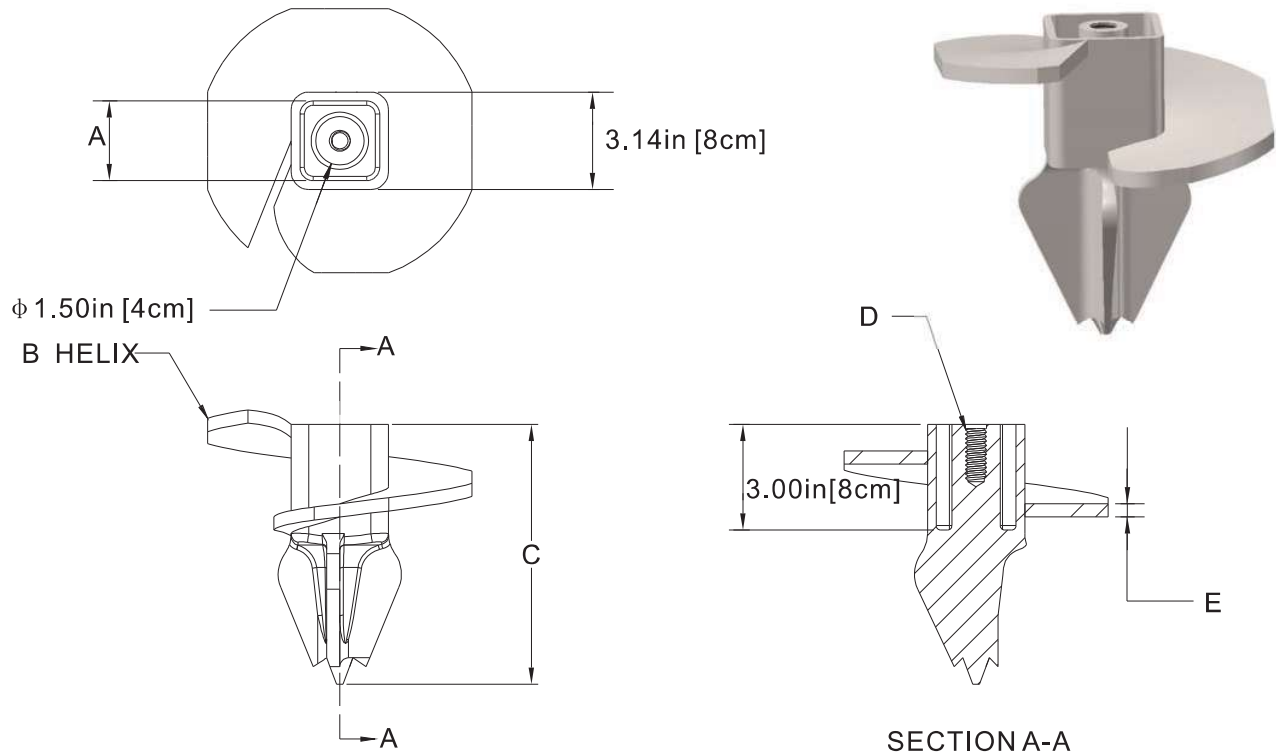
2-1/4" Socket Anchor - 10,000 Ft.Lb. Ultimate Installing Torque, 3/8" helix For Standard Installing Tool					
Catalog No.	A	B	C	D	E
G225-82	2-1/4	8	7-3/8	5/8	3/8
G225-84	2-1/4	8	7-3/8	3/4 or 1	3/8
G225-102	2-1/4	10	7-3/8	5/8	3/8
G225-104	2-1/4	10	7-3/8	3/4 or 1	3/8
G225-112	2-1/4	12	7-3/8	5/8	3/8
G225-114	2-1/4	12	7-3/8	3/4 or 1	3/8
G225-134	2-1/4	14	7-3/8	3/4 or 1	3/8

2-1/4" Socket Anchor - 10,000 Ft.Lb. Ultimate Installing Torque, 1/2" helix For Standard Installing Tool					
Catalog No.	A	B	C	D	E
GH225-82	2-1/4	8	7-3/8	5/8	1/2
GH225-84	2-1/4	8	7-3/8	3/4 or 1	1/2
GH225-102	2-1/4	10	7-3/8	5/8	1/2
GH225-104	2-1/4	10	7-3/8	3/4 or 1	1/2
GH225-112	2-1/4	12	7-3/8	5/8	1/2
GH225-114	2-1/4	12	7-3/8	3/4 or 1	1/2
GH225-134	2-1/4	14	7-3/8	3/4 or 1	1/2

Materials: Steel with blue paint



SOCKET ANCHORS



2-1/2" Socket Anchor - 10,000 Ft.Lb. Ultimate Installing Torque, 3/8" helix For Standard Installing Tool					
Catalog No.	A	B	C	D	E
G250-82	2-1/2	8	8	5/8	3/8
G250-84	2-1/2	8	8	3/4 or 1	3/8
G250-102	2-1/2	10	8	5/8	3/8
G250-104	2-1/2	10	8	3/4 or 1	3/8
G250-112	2-1/2	12	8	5/8	3/8
G250-114	2-1/2	12	8	3/4 or 1	3/8
G250-134	2-1/2	14	8	3/4 or 1	3/8

2-1/2" Socket Anchor - 15,000 Ft.Lb. Ultimate Installing Torque, 1/2" helix For Standard Installing Tool					
Catalog No.	A	B	C	D	E
GH250-82	2-1/2	8	8	5/8	1/2
GH250-84	2-1/2	8	8	3/4 or 1	1/2
GH250-102	2-1/2	10	8	5/8	1/2
GH250-104	2-1/2	10	8	3/4 or 1	1/2
GH250-112	2-1/2	12	8	5/8	1/2
GH250-114	2-1/2	12	8	3/4 or 1	1/2
GH250-134	2-1/2	14	8	3/4 or 1	1/2

Materials: Steel with blue paint